

▼ Shown: VLP-1006UPUJB 100 Ton Press



- Heavy-duty welded frame for increased strength and durability
- Standard Enerpac power sources and cylinders provide high performance and trouble-free operation
- All presses include 900 Series heavy-duty rubber hoses for long life
- 25, 50 and 100 ton models feature the "AccuWinch" for safe and easy daylight adjustment



◀ VLP-Series 10 ton bench press, used in this maintenance workshop to bend steel flat bar.

The Value Line



IP Series

For the ultimate in precision, speed, long strokes and versatility, choose from our Heavy-duty IP Series.



AccuWinch

Heavy-duty AccuWinch features an extra low handle effort. Self locking, precision positioning, and smooth, quiet operation.



Gauges and Gauge Adaptors

Gauges and adaptors are standard on all presses, matching the press capacity.

Page: 118



V-Blocks

These optional V-Blocks are designed for easy fixturing of round stock and other non-uniform materials, featuring a precise fit into the press bolster.

- 10 Ton VLP Model: **A-110**
- 25 Ton VLP Models: **A-130**
- 50 Ton VLP Models: **A-175**
- 100 Ton VLP Model: **A-200**

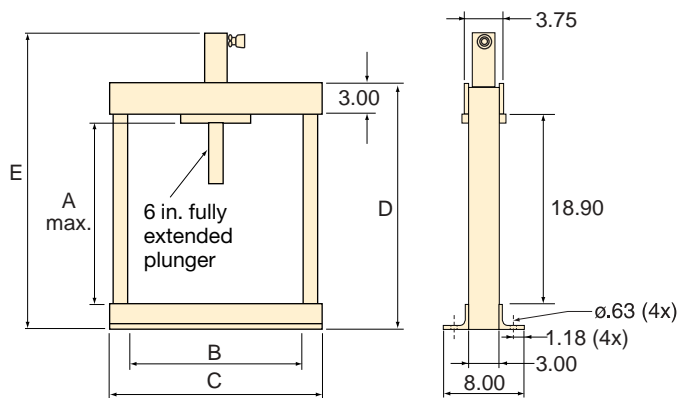
Press Capacity (tons)	Max. Vertical Daylight A (max) (in)	Min. Vertical Daylight A (min) (in)	Bed Width B (in)	Pump Model Number	Press Model Number	Cylinder Model Number	Speed		Stroke (in)
							Approach sec/in	Pressing sec/in	
10	17.9	–	17.0	P-142	VLP-106UP142	RC-106	10*	41*	6.13
25	28.7	3.7	20.1	P-392	VLP-256UP392	RC-256	8*	34*	6.25
25	28.7	3.7	20.1	PA-133	VLP-256UPA133	RC-256	6	39	6.25
50	42.0	6.0	33.4	P-80	VLP-506UP80	RC-506	11*	73*	6.25
50	42.0	6.0	33.4	PUJ-1200B	VLP-506UPUJB†	RC-506	3.3	33.2	6.25
100	41.5	5.5	41.5	PUJ-1201B	VLP-1006UPUJB†	RC-1006	6.2	61.9	6.63

† "B" indica bomba de 115VCA. Para bomba de 230 VCA, mude "B" para "E".

VLP Series Presses

10 Ton Bench Press Model

Dimensions shown in inches.



VLP Series



Capacity:

10-100 tons

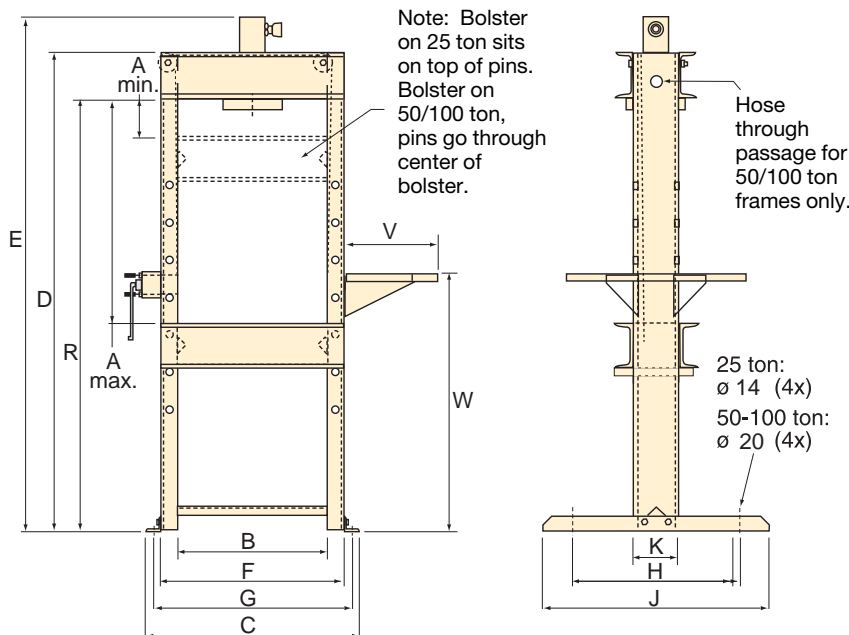
Maximum Daylight & Width:

42.0 & 41.5 in

Maximum Operating Pressure:

10,000 psi

25, 50 and 100 Ton H-Frame Press Models



Frame Only Orders

For hydraulic component substitutions, "Frame Only" presses are available, allowing you to order your hydraulics separately.

Press Capacity (tons)	Frame Model Number
10	VLP-10UF
25	VLP-25UF
50	VLP-50UF
100	VLP-100UF

* Hand Pump data in strokes/in.

** Additional 10 ton bench press dimensions shown above.

† "B" designates 115VAC pump. For 230VAC pump, change "B" to "E".

Press Width C (in)	Press Height D (in)	Overall Height E (in)	Additional H-Frame Press Dimensions (in)									Weight (lbs.)	Press Model Number
			F	G	H	J	K	R	V	W			
21.0	24.4	29.4	**	**	**	**	**	**	**	**	**	120	VLP-106UP142
25.3	64.0	68.8	24.4	25.3	22.4	30.3	6.0	58.0	12.7	35.0	353	VLP-256UP392	
25.3	64.0	68.8	24.4	25.3	22.4	30.3	6.0	58.0	12.7	35.0	353	VLP-256UPA133	
42.3	78.0	78.0	39.3	42.3	34.0	40.0	12.0	66.0	12.7	35.0	811	VLP-506UP80	
42.3	78.0	78.0	39.3	42.3	34.0	40.0	12.0	66.0	12.7	35.0	831	VLP-506UPUJB†	
51.3	78.0	78.0	48.3	51.3	34.0	40.0	15.0	65.0	12.7	35.0	1325	VLP-1006UPUJB†	